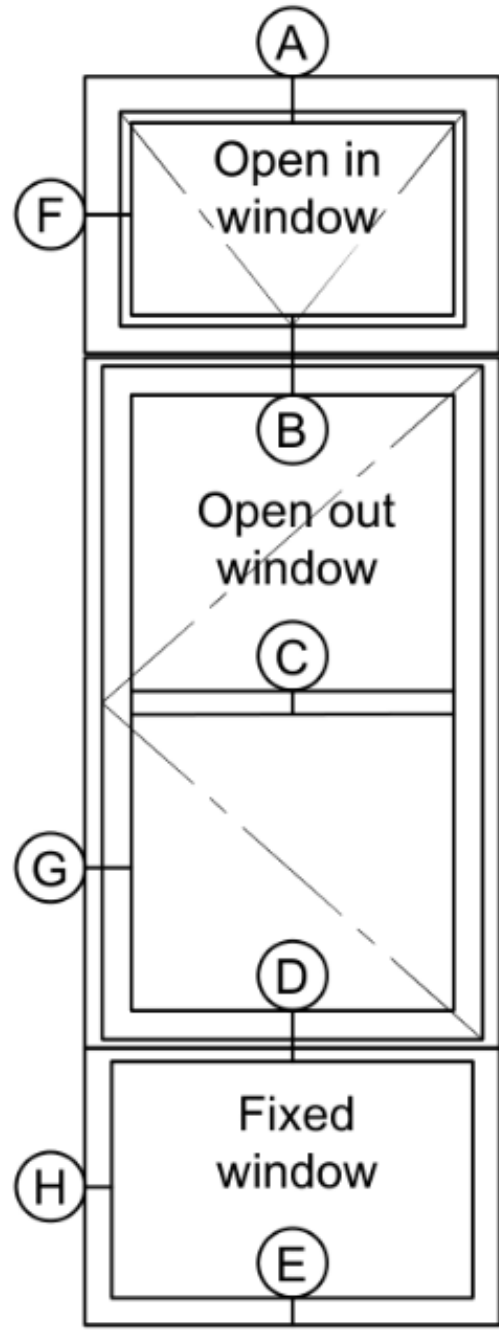
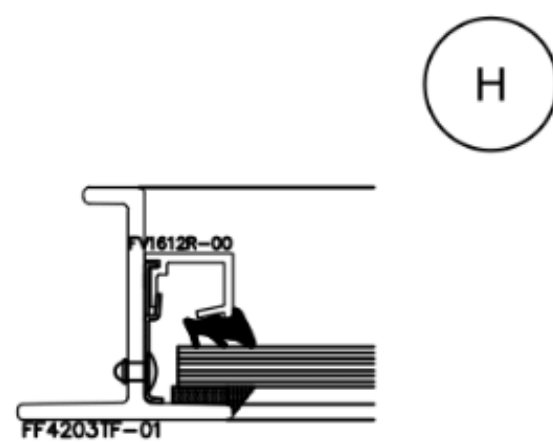
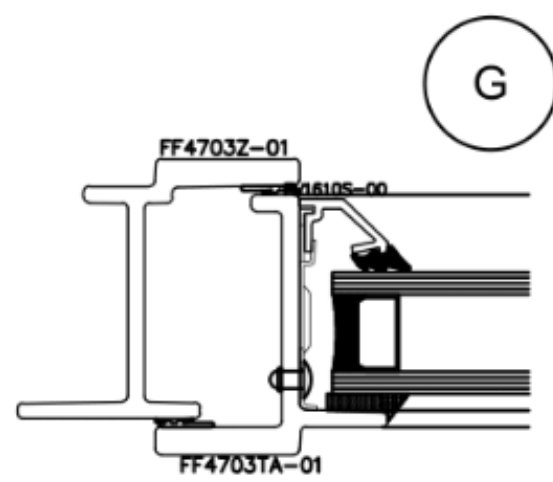
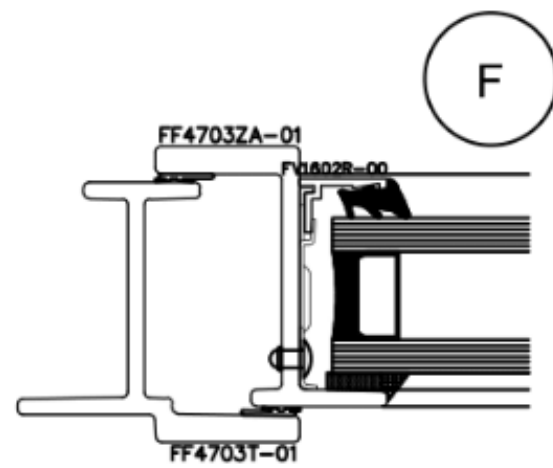


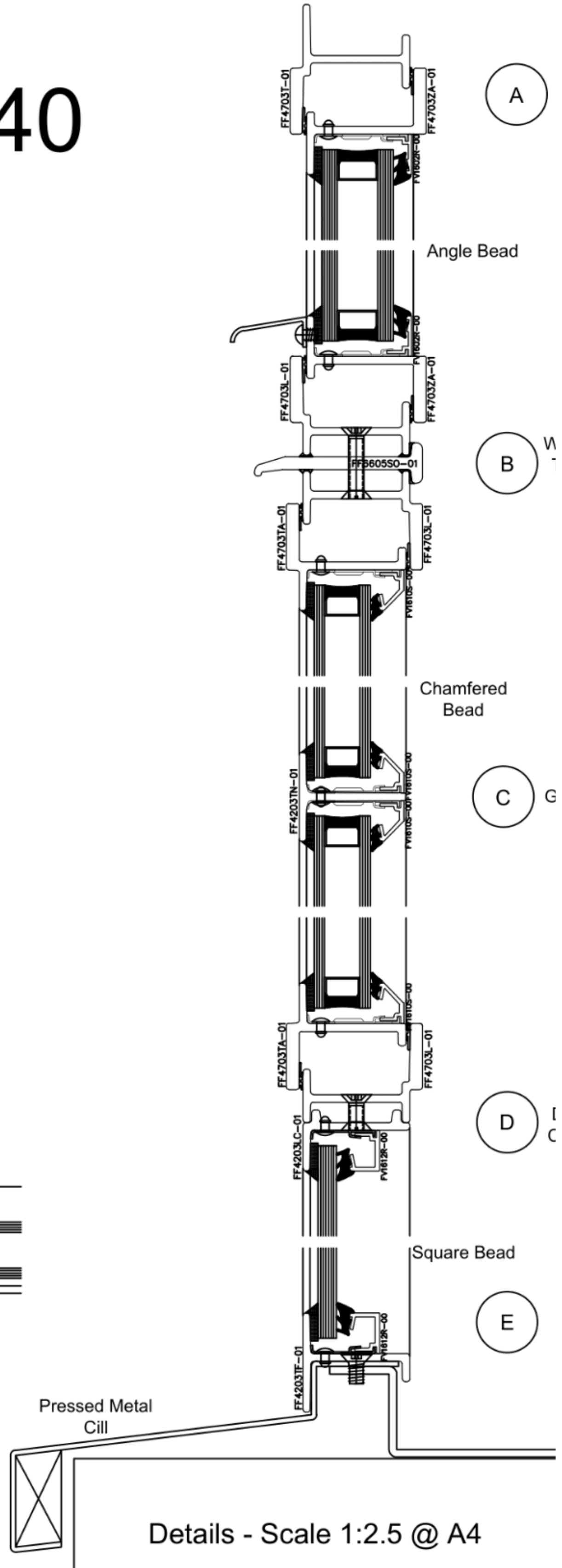
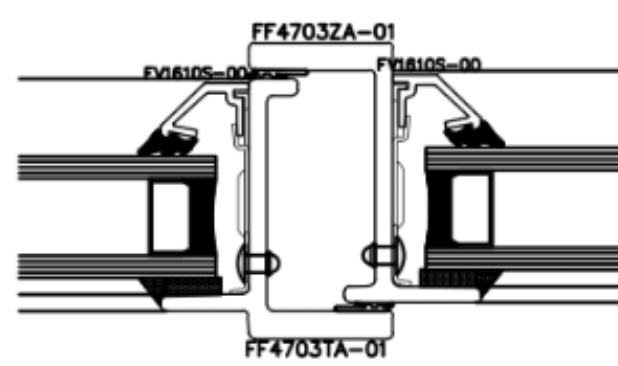
# W40



Scale 1:20 @ A4



Double Leaf Meeting Stile



Details - Scale 1:2.5 @ A4