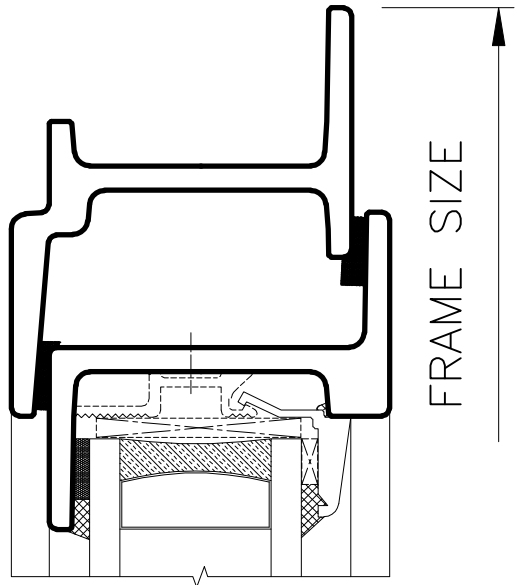
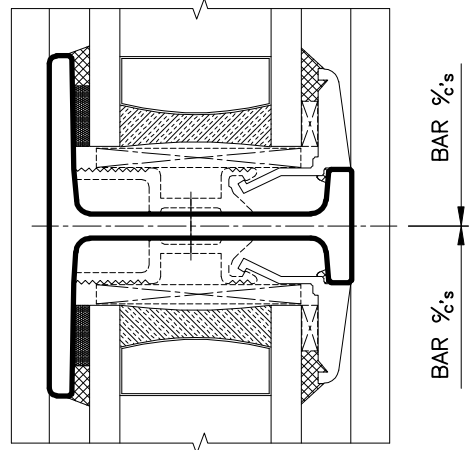


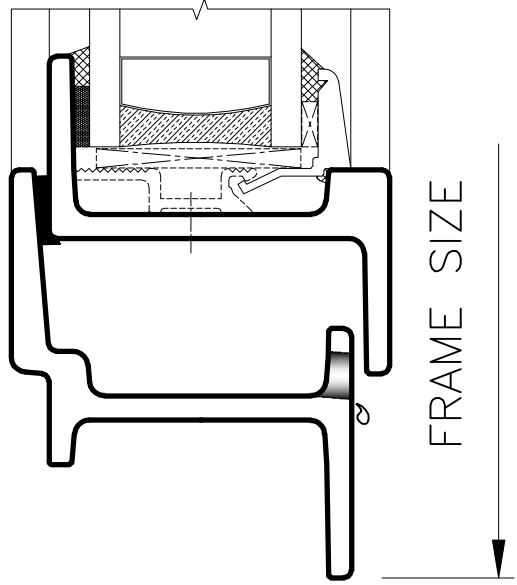
1



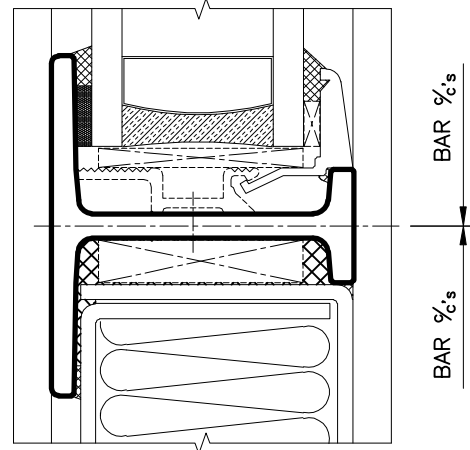
2



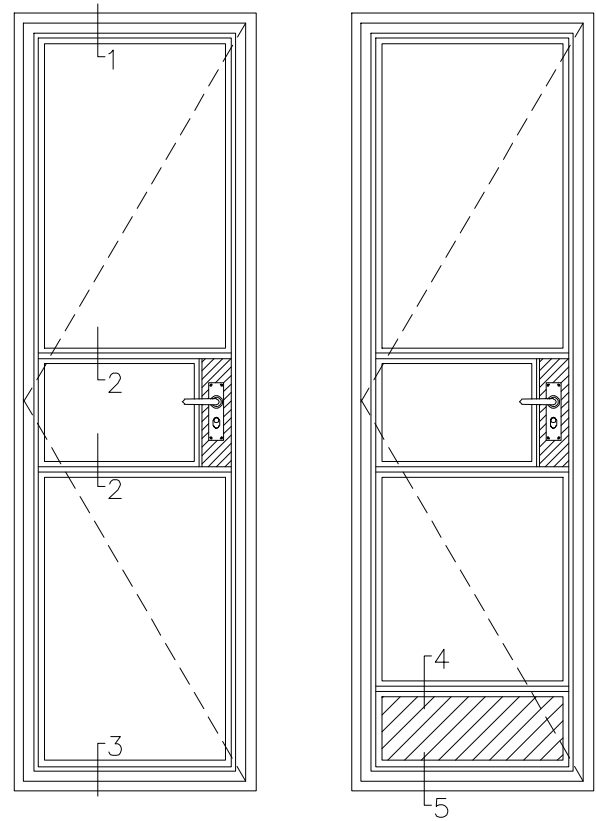
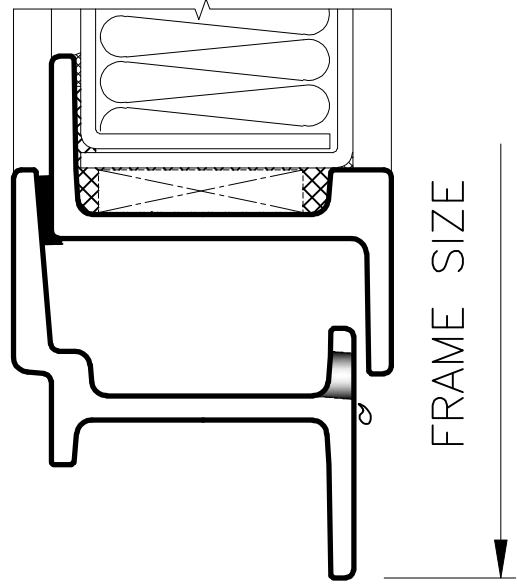
3



4



5



© This drawing is protected by the provisions of the Copyright, Design & Patents Act 1988. It is the property of the Steel Window Association and must not be copied without prior written consent.

Scaling check:	mm 0	20	40	60	80
	Unit 2 Temple Place 247 The Broadway London SW19 1SD Tel: +44(0)20 8543 2841 info@steel-window-association.co.uk				
Elevations: 1:20	Sections: 1:1				
Drawn by: ITL	Auth. by: -				
Date: Apr. 2019	Date: -				

Drawing Title: <b>SYSTEM W30</b> <b>Long leg sections for doors, thro' vertical</b>	
Drawing No. SWA W30/051	Rev. -