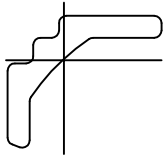


# SCHEDA PROFILO

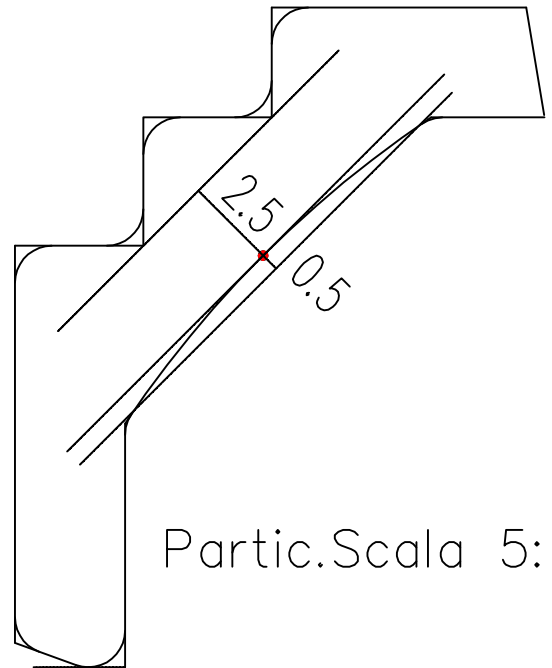
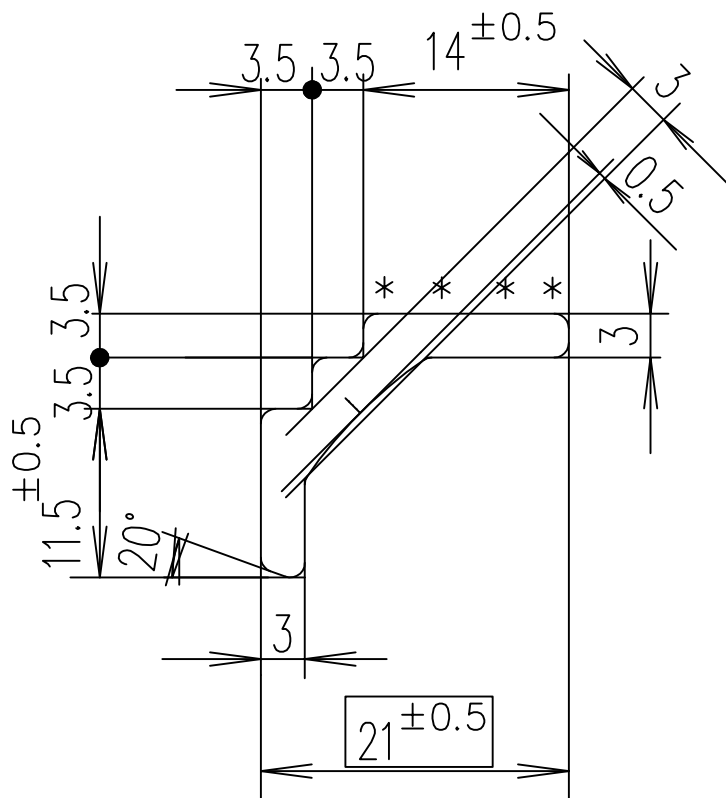


COPYRIGHT & DESIGN RIGHT  
STEEL WINDOWS ASSOCIATION



Scala 1:1

$I_{XX} = 0.2579 \text{ cm}^4$   
 $I_{YY} = 0.379 \text{ cm}^4$   
 $Z_{XX} = 0.424 \text{ cm}^3$   
 $Z_{YY} = 0.284 \text{ cm}^3$



Partic. Scala 5:1

n Critical dimension  
 \* : Visible surface  
 Unquoted radii :  $R 1 \pm 0.5$   
 Unquoted sizes :  $\pm 0.3$   
 $R : 2 \pm 0.5$

Peso: 0.81 kg/m  
 Area: 103.5 mm<sup>2</sup>

SWL1

c:\MASTER	Rilascio	Sostituisce versione del:	Scala: 2:1	Codice
	Data: 25.11.96	03.09.96	Qualità: St37-2	678
	Visto:			